

Mercury & FORMS – Document Workflow Solutions

Reprint &
Cluster

IBM
Channel

IPDS

Metacode
LCDS

Forms
Parser

Job
Separator

Barcode

**Mercury
Basis**

EFI

PIE

Overlays

SAP

IGP

Dynamic
Forms

Mercury
Forms

Linemode

Prescribe

The product Mercury is about a universal print & output management tool. With Mercury you fulfil all requirements of transaction printing. Add-ons concerning overlay & forms management support building of own printing applications or POD applications.

Mercury is in the position of being able to convert all major printing data streams from different origins to standardised formats. This allows output on manufacturer-independent printing systems. The Mercury workflow enables integration of production printing, corporate printing and office environment.

Standardisation of printing data allows optimal use of printing systems of all performance levels. This because the printing volume can be optimally controlled by the Mercury workflow.

Mercury comes up as a plug & play solution. With help of its different modules, customer specific requirements may be implemented easily, using Mercury like a construction Kit.

- Modular construction kit
- Plug & play solution
- Server/client concept
- IBM 370 & ESCON connectivity
- SNA integration
- IBM IPDS conversion
- Xerox Metacode / LCDS / VIPP® conversion
- Prescribe & IGP conversion
- Conversion of printing data to PCL / PDF
- Overlay management
- Dynamic forms management
- Filters for printer controlling
- Bi-directional communication back to the host
- Processing of raw data
- Universal data scanner for dynamic forms
- Programming interface / XML interface
- Reprint & cluster functionality
- Printing performance of several 1000ppm

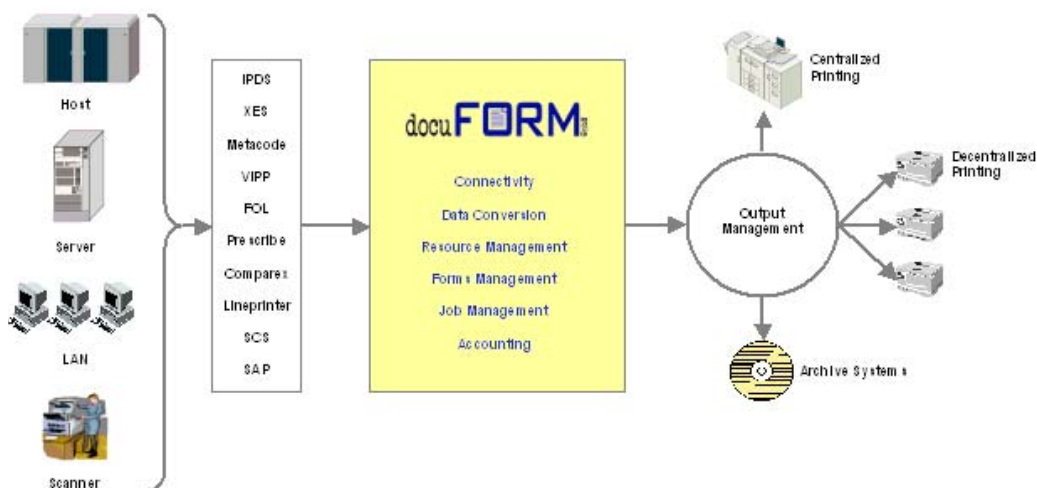
Mercury offers solutions for complex applications in host and office environment.

Mercury introduces itself as a comprehensive print & output management tool. It supports a wide range of connectivity and is able to process almost any data format.

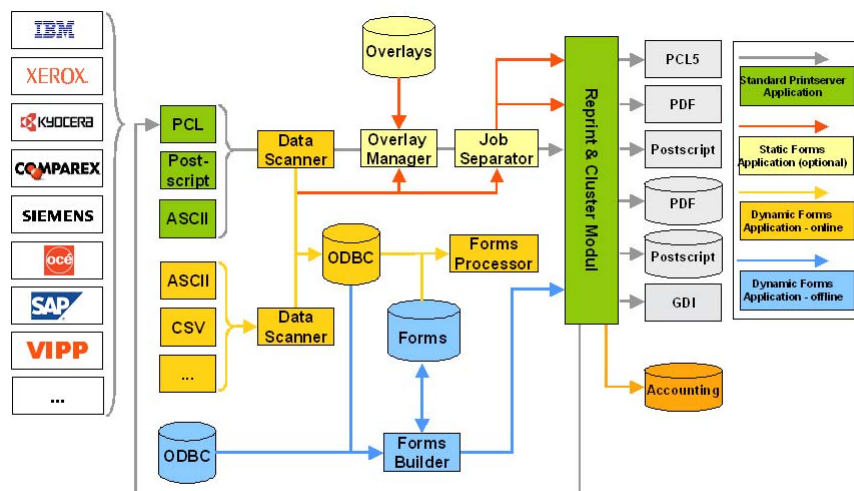
Mercury means that we do not talk about printing systems anymore but about printing volume only.

Mercury connects host and office environments. The resulting advantage is saving of costs and efficiency. Finally the standardisation of printing data makes the user manufacturer-independent and flexible.

Mercury represents a solution from one source even up to dynamic forms management.



The schematic overview of all Mercury modules clarifies the construction kit.



All modules within the Mercury system have standardised interfaces and can therefore be arbitrarily combined. This allows solution of very different requirements at the customer's.

At the same time user data can be extracted from existing applications and may be modified to new form applications. The facility of combining arbitrary user data and the arbitrary combination of different modules in Mercury is unique.

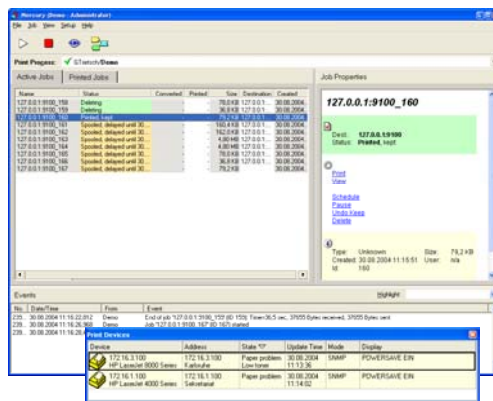
Where forms formerly had to be laboriously generated at host side, they now can be easily added to the original data by using Windows applications.

The clearly arranged user interface allows corporation-wide appliance.

Mercury means working with a server/client concept. The user is able to get all information about print jobs and printer's state at every workstation. Mercury itself is using its own output interface, which supports fully bi-directional communication with the application or with the host system.

Mercury thus is working page based within all modules. This allows restarting of print jobs at any time and also a lot more specific functionality. At the time an IPDS host is bi-directionally communicating with an arbitrary number of PCL printers via Mercury, the Xerox user apparently sees his original printer. This even though a single physical printer is used from different environments.

Inside the Mercury Client, the functionality of all modules is integrated. Job splitting, job restart, re-sorting or checking the state of data conversion - everything is done within the Mercury client!



docuFORM
 WWW.DOCUFORM.DE
 MOZARTSTR. 1 • D-76133 KARLSRUHE
 FON: 0721/16198-0 • FAX: 0721/16198-16
 E-MAIL: INFO@DOCUFORM.DE