

Reprint &
Cluster

IBM
Channel

IPDS

Metacode
LCDS

Forms
Parser



Mercury
Basis

Barcode

EFI

Mercury
Forms

Overlays

SAP

IGP

Dynamic
Forms

PIE

Linemode

Prescribe

The product Mercury is about a universal print & output management tool. With Mercury you fulfil all requirements of transaction printing. Add-ons concerning overlay & forms management support building of own printing applications or POD applications.

The Job Separator module hereby is an important element within the complete document workflow. Using the Job Separator it is possible to search for content criteria within arbitrary printing data streams. These criteria then are used to separate the print job into one or more partial jobs.

Thus printer controlling can be realised by content or also output management functionality may be launched. Printing sorted on different printers, depending on content information represents only one of the various possibilities.

Similarly different content can be assigned to different forms. Or just use the Job Separator for splitting and re-grouping print jobs! Mercury also supports combining several print jobs into one job by certain criteria.

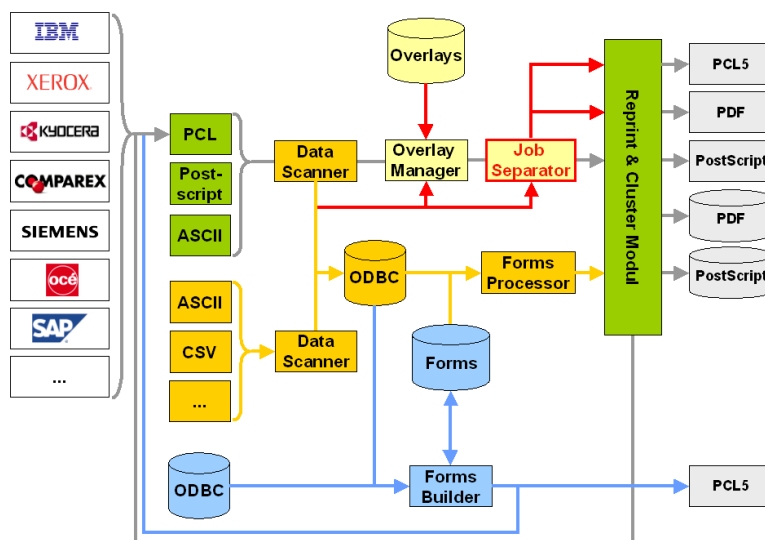
- Modular construction kit
- Plug & play solution
- Server/client concept
- IBM 370 & ESCON connectivity
- SNA integration
- IBM IPDS conversion
- Xerox Metacode / LCDS conversion
- Prescribe & IGP conversion
- Printing data conversion to PCL / PDF / Postscript
- Overlay management
- Dynamic forms management
- Filters for printer controlling
- Bi-directional communication back to the host
- Processing of raw data
- Universal data scanner for dynamic forms
- Programming Interface
- Reprint & Cluster functionality
- Printing performance of several 1000ppm

Integration of the Job Separator into the Mercury architecture for a document workflow.

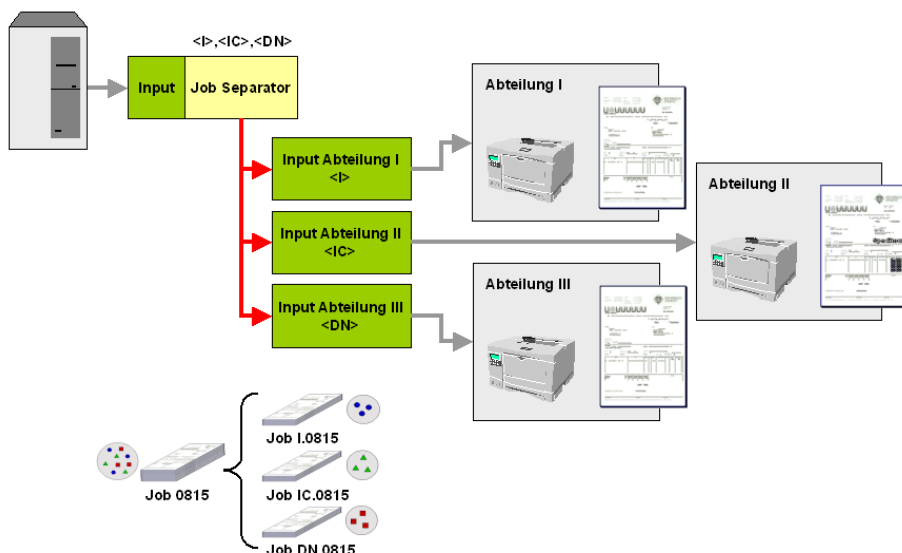
The Mercury Job Separator is added as a filter module to the document workflow. For this, the incoming printing data stream beforehand has been converted to PCL - if necessary.

Basically there are two major fields of application for the Job Separator. On one hand it can be used to separate printed pages due to a constant text criterion, which is part of the printed data. On the other hand these text criteria may be used with a variable part, too.

All hereby created partial print jobs later may be trouble-free processed with any other Mercury module.



Separation of printing data by content, job splitting by constants and variables.



With help of the Job Separator, printed pages of almost arbitrary printing data streams may be classified by their text content.

Equal content as e.g. invoices or delivery notes, printed as a single job, can then be re-sorted and distributed to separate print jobs. With the Mercury document workflow these print jobs may even be sent directly to different printers, placed in the concerned departments.

By classification of printed pages due to constant text elements followed by a variable text, it is even possible to separate by e.g. single customer ids. As a result, the printing data stream is prepared for archiving on document level.

Separation by variable text content e.g. for archiving of single documents as PDF.

The Mercury Job Separator allows separation of print jobs due to text elements, which are part of the printed data. This for constant elements as also, if the ending part of these text elements is variable.

By this the Job Separator permits complete separation of printing data streams into single documents, e.g. due to a customer id. The hereby separated documents are then available as single print jobs and may be further converted to PDF format. This prepares your printed documents for archiving.

It is important to understand, that the original printing data stream beside of arbitrary binary formats and PCL also may be created as IPDS, Xerox Metacode or another format. By conversion of printing data inside the Mercury system to PCL, ASCII or Postscript, it finally doesn't matter, which the original format was. Thus Mercury at large offers a global document workflow for your personal printing environment.

